

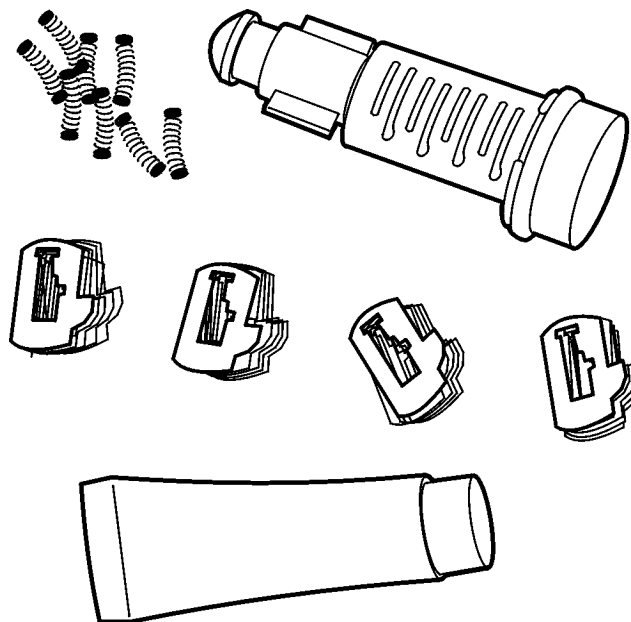
Date	Group	Supp.	Page
12.2004	800 500	01	1(4)

This Service Bulletin is a supplement to Service Manual 800-500, "Cab, General; Cab Doors and Cab Glass" (08.2000), publication number PV776-TSP144737.

Cab, General; Cab Doors and
Cab Glass
VNL, VNM

Lock Cylinder Replacement

(Effective from January 1999)



W8002386

Door Lock Cylinder Kit
P/N 1619767

The following procedure describes the correct method for replacing the lock cylinder on the VN door. It includes steps for assembling the Door Lock Cylinder Kit, P/N 1619767.

Contents:

- ["Cab Door Lock Cylinder, Replacement" page 2](#)

Note: Information is subject to change without notice. Illustrations are used for reference only and may differ slightly from the actual vehicle being serviced. However, key components addressed in this information are represented as accurately as possible.

8342-03-02-01 Cab Door Lock Cylinder, Replacement

You must read and understand the precautions and guidelines in Service Information, group 8, "General Safety Practices, Cab" before performing this procedure. If you are not properly trained and certified in this procedure, ask your supervisor for training before you perform it.

1

Remove the outer door handle. For a description of this procedure, see:

Service Manual PV776-TSP28207/1
Cab, General; Cab Doors and Cab Glass
"Door Handle, Outer, Replacement"

IMPACT

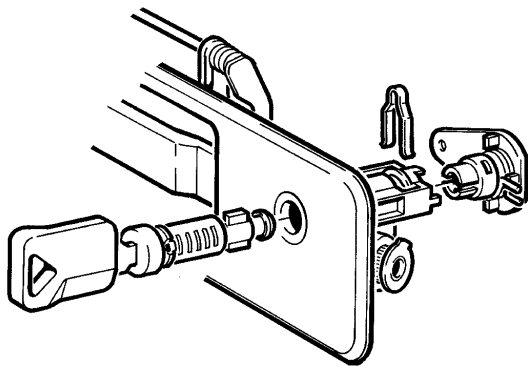
Function Group: 8342
Information Type: Repair
"Door Handle, Outer, Replacement"

2

Put the key in the lock. Push out the lock brace. Remove the lock arm and pull out the lock cylinder.

Note: If the key is lost, remove the lock brace and lock arm. Punch out the lock cylinder from the inside.

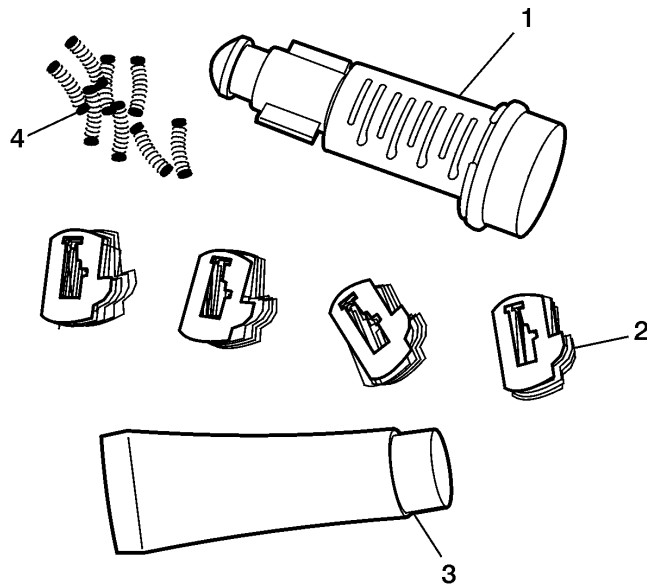
Note: If reusing the lock cylinder, do not remove the key without the protective sleeve in place. Removing the key without a sleeve will cause the lock pins to come out.



T8006684

Lock Cylinder Assembly

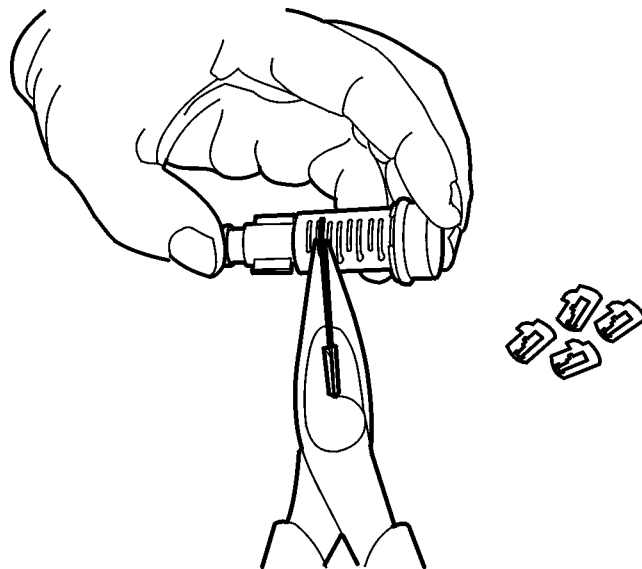
3
Assemble the new lock cylinder. Beginning on one side of the cylinder, place one spring into each hole.



W8002384

The Lock Cylinder Kit contains the following:

- 1 Lock Cylinder
- 2 Lock Pins
- 3 Lubricant
- 4 Springs



W8002385

Note: Begin installing lock pins from the rear of the cylinder.

4
Working on the same side of the cylinder, install each lock pin according to the vehicle's key code.

Note: Begin installing the lock pins at the rear of the cylinder.

5
Lubricate each lock pin with the lubricant supplied in the kit.

6
Repeat this procedure for the other side of the cylinder. Be sure to install the lock pins according to the key code, and to lubricate after installation.

7
Insert the key into the cylinder and slide the cylinder into the protective housing.

8
Install the new cylinder and lock arm. Secure the lock cylinder with the lock brace. Make sure that the lock arm spring is positioned on either side of the lug on the cylinder holder. Pull out the key.

9
Install the outer door handle.

10
Perform a function check of the handle and lock operation.