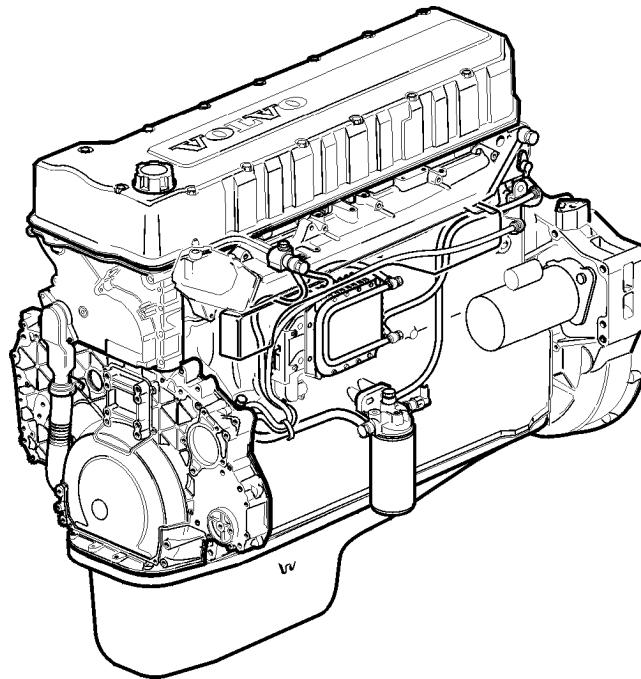


This TSI Service Bulletin replaces TSI Service Bulletin 216-003, "Rear Crankshaft Seal, D12, D12A, D12B, D12C" (11.2001), publication no. PV776-TSP160567.

Date	Group	No.	Supp.	Page
8.2003	<b>216</b>	<b>003</b>		1(4)

## Rear Crankshaft Seal D12, D12A, D12B, D12C

### Rear Crankshaft Seal



W2003244

VOLVO D12C Engine

This information covers service procedures for replacing rear crankshaft seals on VOLVO D12, D12A, D12B, and D12C engines.

### Contents

- ["Special Tools" page 2](#)
- ["Crankshaft Seal, Replacement \(Rear\)" page 3](#)

# Tools

## Special Tools

The following special tools are used to replace or repair components. The tools can be ordered from Volvo; please use the specified part number when ordering.



**9992000**  
Handle



**9998238**  
Drift



**9996950**  
Stop Tool for Flywheel

# Service Procedures

## 2167-03-03-01

### Crankshaft Seal, Replacement (Rear)

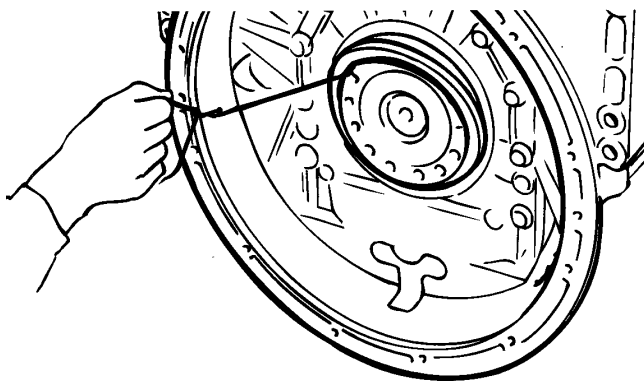
(In vehicle — transmission, clutch, and flywheel removed)

You must read and understand the precautions and guidelines in Service Information, Group 20, "General Safety Practices, Engine" before performing this procedure. If you are not properly trained and certified in this procedure, ask your supervisor for training before you perform it.

*Special tools: 9992000, 9998238*

1

Rotate the sealing ring outward using a drift and hammer. As the seal rotates outward, remove the old sealing ring with the help of a hook.

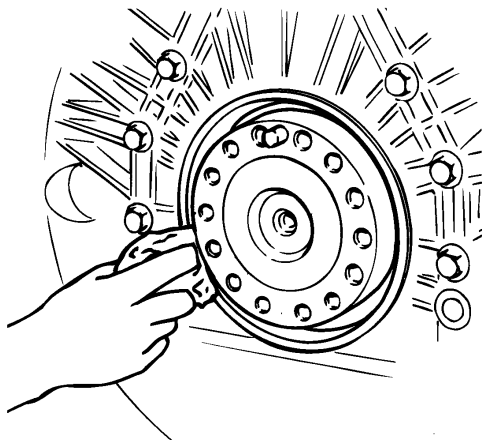


T2007129

Removing old sealing ring

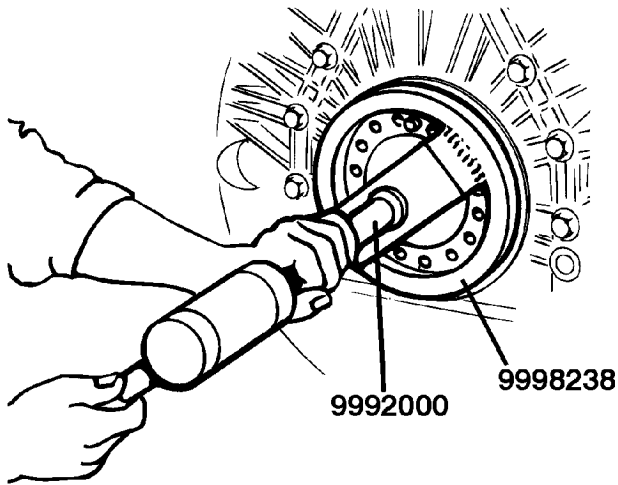
2

Clean the sealing surface in the flywheel housing.



T2006662

Clean sealing ring seat



**3**

Apply clean engine oil to the edge of the new sealing ring and fit seal on drift 9998238. Carefully tap seal into the flywheel housing using handle 9992000 and drift 9998238 until the drift evenly contacts the crankshaft.

**Note:** Position Drift 9998238 so that it does not interfere with the alignment dowel during installation.

9992000, 9998238

W2004278

Installing sealing ring